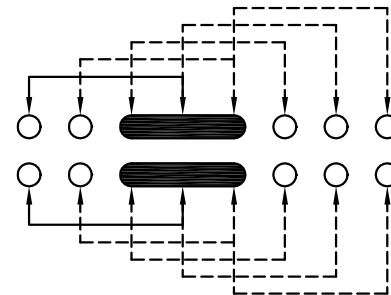
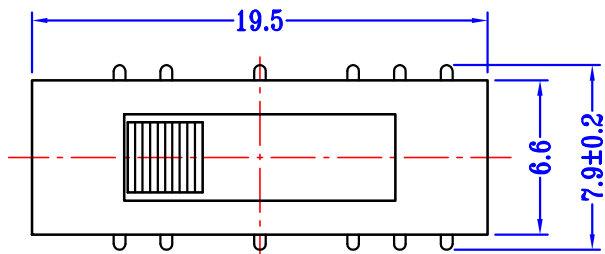
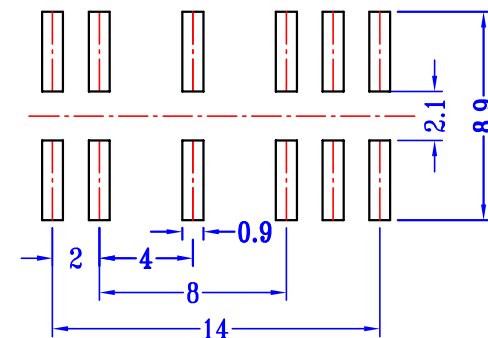
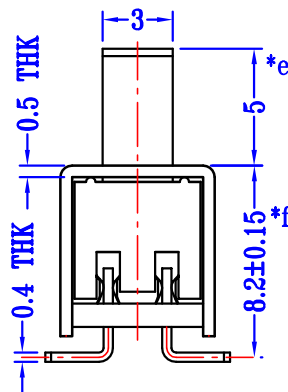
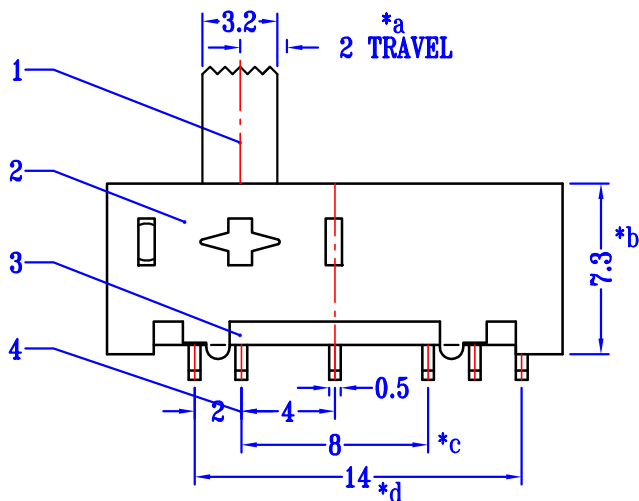


CAD FILE:



SCHEMATIC (SHORTING)



P.C.B LAYOUT  
BOTTOM VIEW

注“\*”表示关键尺寸(7个)

NO.	PARTS	MATERIALS	Q'TY	FINISH	TOLERANCE UNLESS SPECIFIED					
8										
7	STEEL BALL	STEEL	2	NATURAL						
6	SPRING	STEEL WIRE	1	NATURAL	WITHIN 1.5mm : ±0.1mm	A	2020-07-28	初版		
5	CONTACT CLIP	PBS STRIP	2	Ag CLAD	OVER 1.5mm : ±0.2mm	ISSUE	DATE	DESCRIPTIONS OF REVISION		APPD.
4	TERMINAL	BRASS STRIP	12	Ag PLATED	TITLE : VERTICAL SLIDE SWITCH		UNIT : mm	DRWG NO.: XB-SS-25D01A		
3	BASE	PHENOLIC RESIN	1	NATURAL	MODEL: XB-SS-25D01A 金码接触片		SCALE: 3:1	DWN.		
2	FRAME	STEEL STRIP	1	Ni PLATED	东莞市溪榜电子有限公司 DONG GUAN XI BANG ELECTRONI CS CO., LTD.					
1	KNOB	PA66	1	BLACK			CHK'D			
								APPD.		